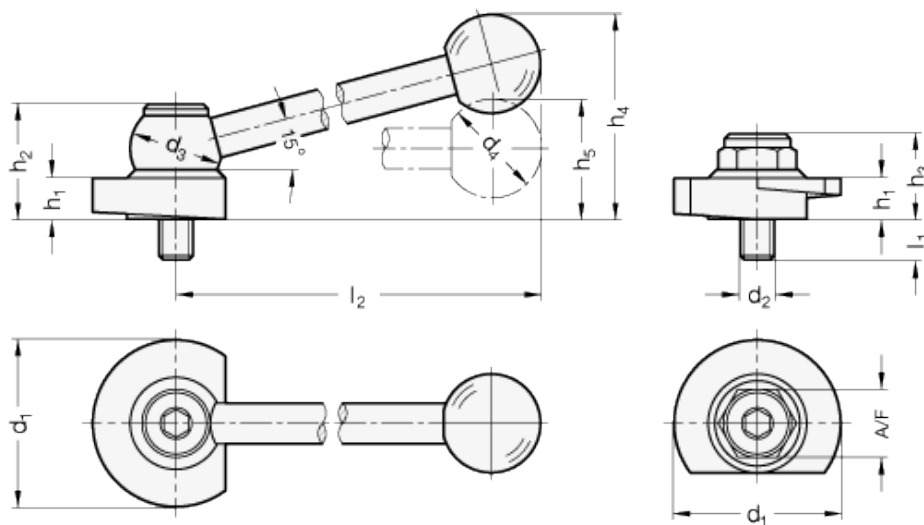


# GN 918.2

Cam locking levers



## technical informations

### Lever

Black-oxide steel.

### Ball knob (type KV and type GV)

DIN 319 Plastic, duroplast, shiny finish.

### Screw

Nitrided and black-oxide steel, hexagon socket head.

### Cam and washer

Nitrided black-oxide steel.

### Assembly

- Type KV: with ball lever, angular (serrations).
- Type GV: with ball lever, straight (serrations).
- Type SK: with hexagon.

### Standard versions available

- Version R: clockwise rotation (drawn version).
- Version L: anti-clockwise rotation.

### Features and applications

Clamping bolts GN 918.2 are fitted with a rotating helix. They allow rapid and safe clamping and releasing with a relatively long movement and high clamping force. The small rising angle of the helix makes it self arresting.

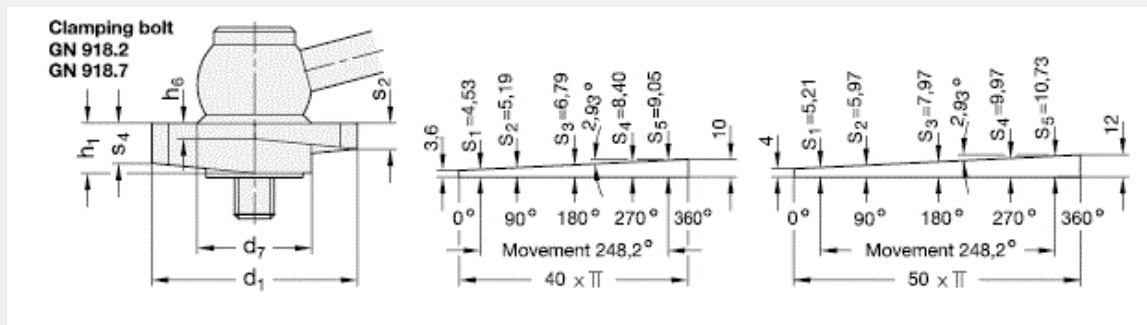
The ball handle is linked with the clamping mechanism via a serrated ratchet thus allowing an individual positioning of the hand lever.

Bolt and washer are matched to allow an effortless release from the clamped position. The washer "saves" special requirements to the execution of the female thread and the clamping bolt can therefore also be used on T-Nuts on machine beds.

Clamping bolts offer the advantage that they can be rotated away from the clamping area after release.

Clamping bolts can also be used as stepless adjustable end stops. If the washer is removed the bolt can be clamped direct to its support.

Spherical clamping bolt GN 605 are recommended for use with these clamping bolts.



$d_1 - 0,5$	$d_7$	$h_1$	$h_6$
40	24	10	3,6
50	28	12	4

Standard Elements	Main dimensions												Threaded stud		Weight
	Description	$d_1 - 0,5$	$d_3$	$d_4$	$d_7$	$h_1$	$h_2$	$h_3$	$h_4 \approx$	$h_5$	$h_6$	$l_2 \approx$	A/F	$d_2$	
GN 918.2-40-KV-R	40	24	25	24	10	31	-	55	-	3.6	100	-	M8	8	190
GN 918.2-40-KV-L	40	24	25	24	10	31	-	55	-	3.6	100	-	M8	8	190
GN 918.2-40-GV-R	40	24	25	24	10	31	-	-	31	3.6	100	-	M8	8	170
GN 918.2-40-GV-L	40	24	25	24	10	31	-	-	31	3.6	100	-	M8	8	170
GN 918.2-40-SK-R	40	-	-	24	10	-	21	-	-	3.6	-	15	M8	8	100
GN 918.2-40-SK-L	40	-	-	24	10	-	21	-	-	3.6	-	15	M8	8	100
GN 918.2-50-KV-R	50	28	30	28	12	34.5	-	62	-	4	116	-	M10	11	315
GN 918.2-50-KV-L	50	28	30	28	12	34.5	-	62	-	4	116	-	M10	11	315
GN 918.2-50-GV-R	50	28	30	28	10	34.5	-	-	36	4	116	-	M10	11	305
GN 918.2-50-GV-L	50	28	30	28	12	34.5	-	-	36	4	116	-	M10	11	305
GN 918.2-50-SK-R	50	-	-	28	12	-	24	-	-	4	-	19	M10	11	159
GN 918.2-50-SK-L	50	-	-	28	12	-	24	-	-	4	-	19	M10	11	159

